

- Completely enclosed body
- Available in Bottom and Centerline Closure
- High cycle life, repeatable control
- Positive opening tabs standard on all sleeves
- Full, reinforced rubber flanges eliminate need for gaskets
- Face-to-face values equal to industry standards

The Series 2400 Pinch Valve is a completely enclosed, actuated control valve. Its reliable, maintenance-free design is perfectly suited for tough slurries, abrasives, and corrosive chemical applications. Available in pneumatic or electric configurations.

The enclosed body offers protection against moving parts and in the event of sleeve failure offers additional safety.

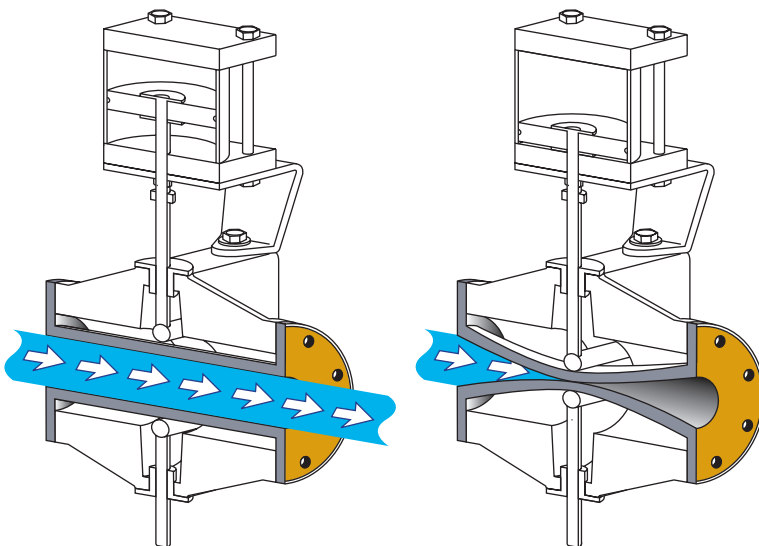
The heart of the Series 2400 Control Pinch Valve is a long-lasting, flexible rubber sleeve, available in a wide variety of elastomers suitable for any application. With its excellent control characteristics, the Series 2400 can be used as a throttling control valve. Reduced port, funnel port or double wall sleeves are available for these applications.



Typical Applications

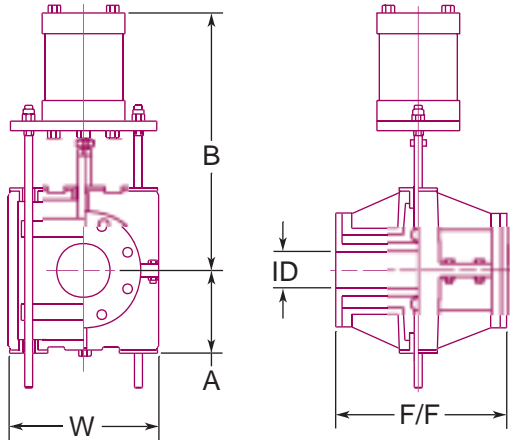
Waste and Water Treatment - Mine Slurries -
Chemicals - Cement - Pulp and Paper

The body of the Series 2400 Valve is normally constructed of ductile iron, but lightweight aluminum and corrosion resistant stainless steel are also available. Larger body sizes will be of fabricated steel design.



Series 2400 Pinch Valves provide excellent flow control compared to other valves due to their simple yet effective design. In addition, the sleeve is the only part of the valve exposed to the line process, eliminating maintenance and/or corrosion of the more expensive mechanical components.

During operation, two pinch bars squeeze the flexible rubber sleeve, allowing the Series 2400 Valve to achieve a variable and stable flow rate. Fully open, the valve allows for full, straight through flow, eliminating areas where solids could build up and impair operation. Fully closed, the Series 2400 Valve maintains complete closure, with no leakage in either direction.



For engineering specifications or when placing your order, please provide the following information:

- | | | |
|-----------------|-----------------------------------|-----------------------------------|
| Flange Drilling | <input type="checkbox"/> ANSI 125 | <input type="checkbox"/> ANSI 300 |
| | <input type="checkbox"/> PN 6 | <input type="checkbox"/> PN 10 |
| | <input type="checkbox"/> PN 16 | <input type="checkbox"/> BS 10 |
| | <input type="checkbox"/> Other | <input type="text"/> |

ID ¹	1	1-1/2	2	2-1/2	3	4	6	8	10	12	14	16	18	20	24
F/F ¹	7-1/4	8-3/4	10	10-7/8	11-3/4	13-7/8	17-3/4	21-3/8	26-1/2	29	35	40	45	50	60
W ¹	5-1/2	7-1/2	7-1/2	8-1/2	11	13	15	16-1/4	19-1/4	23	27	30-1/2	33-1/2	43-1/2	42-1/2
A ¹	2-5/16	2-5/8	3-1/4	3-7/8	4-1/8	6-1/2	7	7-1/2	9	10-7/8	11-11/16	13-7/8	14-7/8	16-1/4	16-7/8
B ¹	13-3/4	14-1/2	16-1/2	22-3/8	22-3/4	25-1/8	29-1/2	36-1/4	41-5/8	44-7/8	51-1/2	56-1/4	59-7/8	63-1/4	69-1/2
Work Press. ²	150	150	150	150	150	150	125	125	125	100	75	50	50	50	50
Weight ³ (est.)	50	95	125	150	185	225	275	305	395	510	720	1100	1500	1950	2400

1 - inches 2 - psi 3 - pounds

Dimensions can be revised to suit custom specifications.

Elastomer Selection Guide

Ethylene Propylene Rubber (EPDM)

Most effective for applications involving water, steam or diluted acids.

Viton™ (FKM)

Resists solvents, halogenated hydrocarbons, oxygen, weather, ozone, oils and chemicals.

Buna N (NBR)

Resistant to kerosene, moderate chemicals, fats, oils, grease and many hydrocarbons.

Natural Rubber (NR)

Good abrasion resistance, tensile strength and resiliency. Also suitable when dealing with organic acids, alcohols, ketones and most moderate chemicals.

Hypalon™ (CSM)

Resists strong acids and bases, ozone, weathering, heat and oxidizing chemicals.

Butyl (CIIR)

Good resistance to animal and vegetable fats, strong and oxidizing chemicals, oils, heat and greases.

Neoprene (CR)

Generally resistant to oil and grease, moderate chemicals, fats, many hydrocarbons and ozone. Resistant to barnacle growth.

Teflon™ (AFMU)

Excellent resistance to chemicals. Fair abrasion resistance.

Options

Actuator - Pneumatic, hydraulic and electric.

Solar Power Pack - For hydraulic actuation.

Solenoid Valve Control

Position Indicator / Transmitter

Positioner Control - With 3-15 psi instrument air signal.

Positioner and I/P Transducer Control - With 4-20 mA instrument signal.

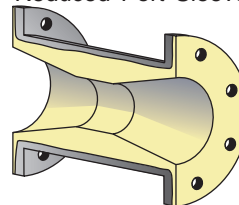
Digital Positioner - With HART communications protocol.

Auxiliary Hand Wheel Override Limit Switches

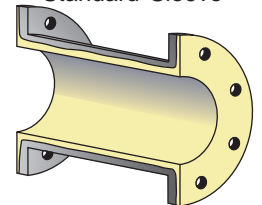
When placing your order, please indicate sleeve material by appending elastomer abbreviation (CR, NR, etc) to the model name.
IE: Series 2400-CR

Replacement Sleeves Styles for the Series 2400 Valve

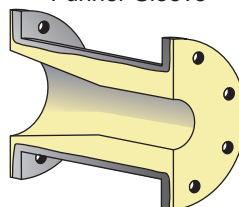
Reduced Port Sleeve



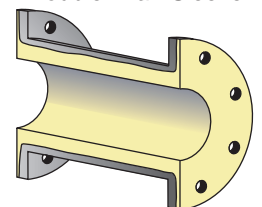
Standard Sleeve



Funnel Sleeve



Double Wall Sleeve



WARRANTY

All EVR products are guaranteed for one full year against defects resulting from faulty workmanship or materials. If any such product is found to be defective by reason of faulty workmanship or materials, upon written notice and return of the product, the defective product will be replaced by us free of charge, including the shipping charges for the replacement product. Claims for labour costs and other expenses required to replace such defective product, or to repair damage resulting from the use thereof will not be allowed by us. Our liability is limited to the price paid for the defective product. EVR Products shall not be bound by any warranty other than the above set forth unless such warranty shall be in writing. This literature is published in good faith and is believed to be reliable, however, EVR Products does not represent and/or warrant in any manner the above information and suggestions contained in this brochure. Data presented is the result of laboratory tests and field experience.

Distributed by:

ELASTO VALVE RUBBER PRODUCTS INC.

1691 Pioneer Road, Sudbury,
Ontario Canada P3G 1B2

Tel. (705)523-2026 - Fax. (705)523-2033

Toll Free 1-800-461-6331 (N.A.)

Website: www.evrproducts.com

E-mail: sales@evrproducts.com

ISO 9001 Certified

