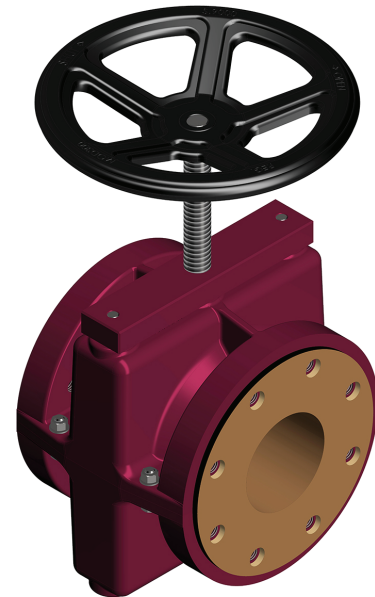


- Enclosed body
- Streamlined centerline closure
- Tight shut-off even on trapped solids
- Positive opening tabs standard on all sleeves
- Face-to-face values equal to industry standards

The Series 2000 Pinch Valve is an enclosed body, manually operated valve. Its reliable, maintenance-free design is perfectly suited for tough slurries, abrasives, and corrosive chemical applications.

The enclosed body offers protection against moving pinch bars and in the event of sleeve failure offers additional safety.

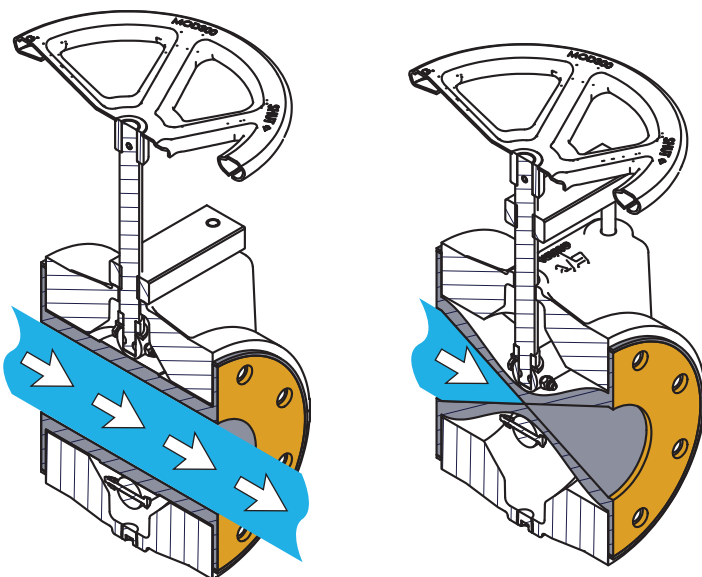
The heart of the Series 2000 Pinch Valve is a long-lasting, flexible rubber sleeve, available in a wide variety of elastomers suitable for any application. With its excellent control characteristics, the Series 2000 can be used as a manual throttling control valve. Reduced port, funnel port or double wall sleeves are available for these applications.



Typical Applications

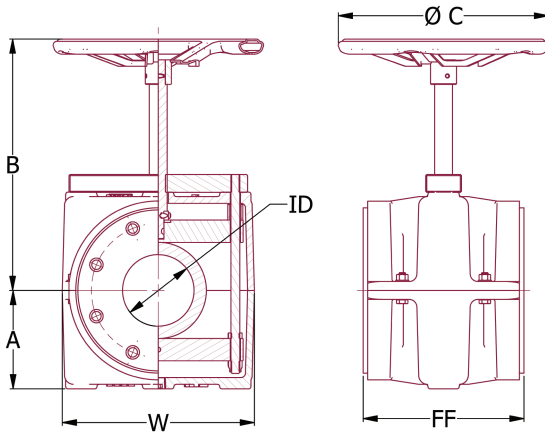
Waste and Water Treatment - Mine Slurries -
Chemicals - Cement - Pulp and Paper

The body of the Series 2000 Valve is constructed of ductile iron, but lightweight aluminum and corrosion resistant stainless steel are also available. 14" and larger body sizes are of fabricated steel design.



Series 2000 Pinch Valves provide excellent flow control compared to other valves due to their simple yet effective design. In addition, the sleeve is the only part of the valve exposed to the line process, eliminating corrosion of the more expensive mechanical components.

During operation, two pinch bars squeeze the flexible rubber sleeve, allowing the Series 2000 Valve to achieve a variable and stable flow rate. Fully open, the valve allows for full, straight through flow, eliminating areas where solids could build up and impair operation. Fully closed, the Series 2000 Valve maintains complete closure, with no leakage in either direction.



For engineering specifications or when placing your order, please provide the following information:

- Flange Drilling ANSI 125 ANSI 300
 PN 6 PN 10
 PN 16 BS 10
 Other

ID ¹	1	2	3	4	5	6	8	10	12	14	16	18	20	24
F/F ¹	5-1/2	7	8	9	10	10-1/2	16	20	24	28	32	36	40	48
W ¹	6-1/4	7-1/2	9-5/8	10-3/4	13-3/8	14-3/4	19	23	26-5/8	33	37	43	46	60
A ¹	3-1/2	4-1/8	4-7/8	5-1/2	7	7-1/2	8-3/4	10-3/4	11-7/8	13-1/2	15	19-1/2	20	24-1/2
B ¹	7-3/4	9-3/4	12-1/2	14-1/4	19	20	23-1/2	28-3/4	32-1/2	36-7/8	42	53	59	72
C ¹	6	8	12	12	16	24	24	24	32	36	36	36	36	36
Max. Working Pressure ²	150	150	150	150	125	125	75	75	75	50	50	50	50	50
Estimated Weight ³	27	44	72	96	133	155	244	389	512	700	800	1200	1370	2300

1 - inches 2 - psi 3 - pounds

Dimensions can be revised to suit custom specifications.

Elastomer Selection Guide

- Ethylene Propylene Rubber (EPDM)**
Most effective for applications involving water, steam or diluted acids.
- Viton™ (FKM)**
Resists solvents, halogenated hydrocarbons, oxygen, weather, ozone, oils and chemicals.
- Buna N (NBR)**
Resistant to kerosene, moderate chemicals, fats, oils, grease and many hydrocarbons.
- Natural Rubber (NR)**
Good abrasion resistance, tensile strength and resiliency. Also suitable when dealing with organic acids, alcohols, ketones and most moderate chemicals.
- Hypalon™ (CSM)**
Resists strong acids and bases, ozone, weathering, heat and oxidizing chemicals.
- Butyl (CIIR)**
Good resistance to animal and vegetable fats, strong and oxidizing chemicals, oils, heat and greases.
- Neoprene (CR)**
Generally resistant to oil and grease, moderate chemicals, fats, many hydrocarbons and ozone. Resistant to barnacle growth.

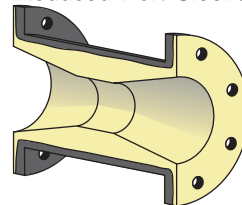
Options

- Flange Drilling** - ANSI, Metric, or custom drilling classes available.
- Chainwheel Controls** - For valves that are mounted out of reach.
- Bevel Gear** - Suggested for high pressure applications or for valves with a diameter of 10" or more.
- Stem Extensions** - Available for hard to reach or buried service valves.

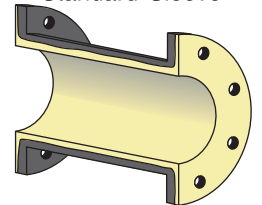
When placing your order, please indicate sleeve material by appending elastomer abbreviation (CR, NR, etc) to the model name.
IE: Series 2000-CR

Replacement Sleeves Styles for the Series 2000 Valve

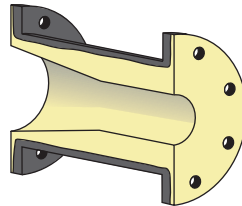
Reduced Port Sleeve



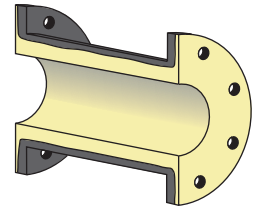
Standard Sleeve



Funnel Sleeve



Double Wall Sleeve



WARRANTY:

All products manufactured by Elasto-Valve Rubber Products Inc. (EVR) are guaranteed against defects resulting from faulty workmanship or materials for one (1) year from date of shipment to Buyer. If any such product is found to be defective by reason of faulty workmanship or materials, then upon written notice and return of the product, and at EVR's sole discretion, the defective product will be replaced or repaired by EVR free of charge at EVR's factory. Claims for labour costs and other expenses required to replace and/or transport such defective product or to repair damage resulting from the use thereof will not be allowed by EVR. Our liability does not include consequential damages and is limited to the price paid for the defective product. EVR shall not be bound by any other warranty other than the above set forth unless such warranty shall be agreed in writing by EVR. All EVR literature is published in good faith and is believed to be reliable at time of print; however, due to product design changes EVR reserves the right to make alterations from published materials at any time. Formal approval drawings are available to confirm individual products upon request at time of order.

Distributed by:

ELASTO-VALVE RUBBER PRODUCTS INC.
1691 Pioneer Road, Sudbury,
Ontario Canada P3G 1B2
Tel. (705)523-2026 - Fax. (705)523-2033
Website: www.evrproducts.com
E-mail: sales@evrproducts.com

ISO 9001 Certified

