

- 1/4 Turn manual operation
- 1/4 Turn Pneumatic or Electric control package
- On-off or flow control service
- No flange gaskets required
- Positive fusion threaded flange inserts
- Corrosion resistant polyester fiberglass construction

The Series 4400 High-Flow Capacity Pinch Valve is ideally suited for hard-to-handle fluids, especially slurries. Solids in the flow make operation of other types of valves - such as ball, plug and butterfly valves - problematic. The Series 4400 handles tough fluids easily with its full port design.

Series 4400 Pinch Valves provide excellent flow control compared to other valves due to their simple yet effective design. In addition, the sleeve is the only part of the valve exposed to the line process, eliminating maintenance and/or corrosion of the more expensive mechanical components.

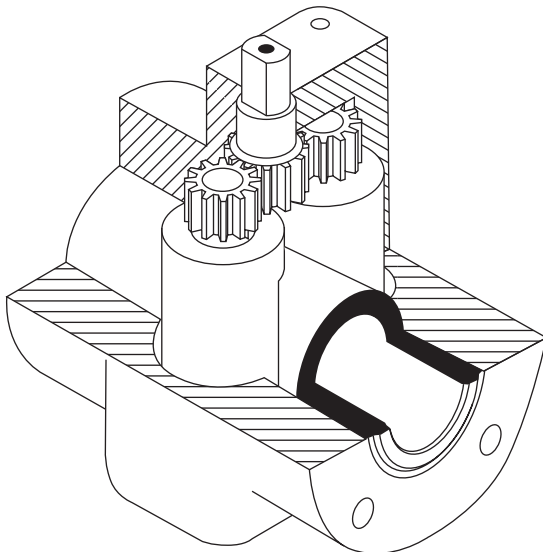
The heart of the Series 4400 Pinch Valve is a durable rubber diaphragm spool, available in a wide variety of elastomers - including Teflon lined - suitable for any application.



Typical Applications

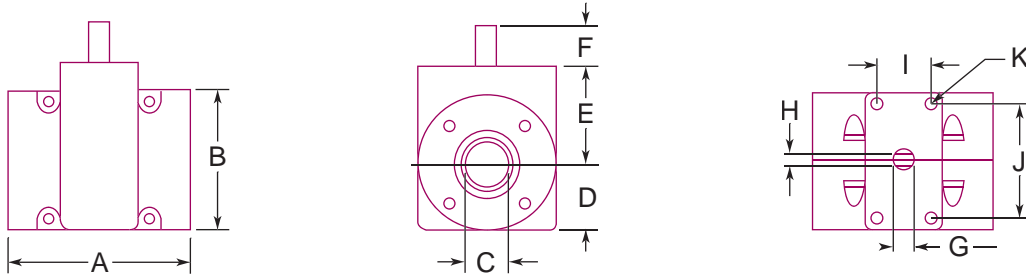
Waste and Water Treatment - Pet Foods - Chemicals - Powders, Plastic Pellets - Pulp and Paper - Paints, Pigments and Glues - Mine Slurries

The body of the Series 4400 Valve is constructed of corrosion resistant polyester fiberglass. Molded-in steel inserts for the flange bolts and actuator mounting bolts provides durability and long valve life.



Automated operation is achieved by installing any pneumatic or electric, quarter-turn actuator control package to the stem of the Series 4400 Pinch Valve. Tapped mounting holes are provided for assembling the actuator mounting bracket to the valve.

Manual operation of the Series 4400 Valve is accomplished with a 6-position, notched detent plate and spring-loaded lever assembly. During operation of the valve, two opposing gear-driven cams act on the sleeve, providing flow control over the entire 90 degrees of valve stem travel. The Series 4400 Valve exhibits negligible pressure drop in the open position and bubble tight closure - even around solids - in the closed position.



For engineering specifications or when placing your order, please provide the following information:

Actuation N0=None HK=Handle Kit (lever)
 AP=Actuation Package

Valve Size	A	B	C	D	E	F	G	H	I	J	K	Wgt (lbs)
1/2"	4.25	3.50	0.62	1.77	2.16	1.13	0.56	0.38	1.38	2.88	10-24 ¹	3.25
3/4"	4.63	3.88	0.82	2.03	2.50	1.31	0.56	0.38	1.40	3.48	10-24 ¹	5.0
1"	5.00	4.25	1.04	2.03	2.50	1.31	0.54	0.38	1.40	3.48	10-24 ¹	5.5
1-1/2"	6.55	5.00	1.61	2.50	3.50	1.50	0.75	0.50	2.00	4.20	5/16-18 ²	9.38
2"	7.05	6.00	2.07	3.00	4.23	1.50	1.00	0.50	2.37	5.03	5/16-18 ²	14.5
3"	8.05	7.50	3.07	3.75	5.00	2.16	1.125	0.69	2.88	5.25	3/8-16 ³	22.75

1 - 0.25 dp 2 - 0.64 dp 3 - 0.75 dp

Dimensions can be revised to suit custom specifications.

Elastomer Selection Guide

Ethylene Propylene Rubber (EPDM)

Most effective for applications involving water, steam or diluted acids.

Viton™ (FKM)

Resists solvents, halogenated hydrocarbons, oxygen, weather, ozone, oils and chemicals.

Buna N (NBR)

Resistant to kerosene, moderate chemicals, fats, oils, grease and many hydrocarbons.

Natural Rubber (NR)

Good abrasion resistance, tensile strength and resiliency. Also suitable when dealing with organic acids, alcohols, ketones and most moderate chemicals.

Hypalon™ (CSM)

Resists strong acids and bases, ozone, weathering, heat and oxidizing chemicals.

Butyl (CIIR)

Good resistance to animal and vegetable fats, strong and oxidizing chemicals, oils, heat and greases.

Neoprene (CR)

Generally resistant to oil and grease, moderate chemicals, fats, many hydrocarbons and ozone. Resistant to barnacle growth.

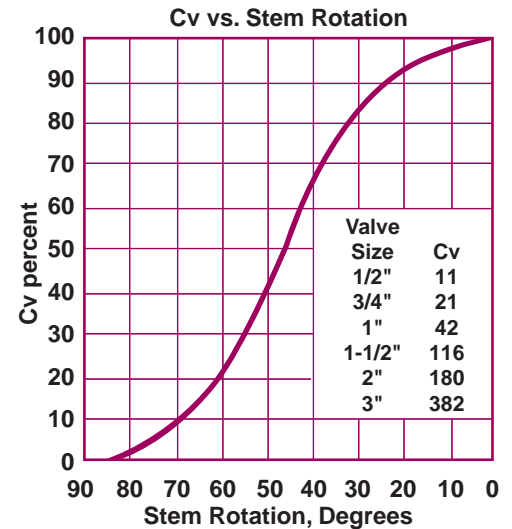
Teflon™ (AFMU)

Excellent resistance to chemicals. Fair abrasion resistance. If this material is chosen please increase torque required by 20%.

VALVE SIZE (inches)	Torque Req. (in-lbs) @ Process Press. (psig)*				
	0	30	60	90	120
1/2	80	110	140	190	220
3/4	125	175	225	312	350
1	125	175	225	312	350
1-1/2	400	575	720	800	930
2	750	970	1150	1630	1900
3	1400	1800	2200	2900	3500

* For PTFE-lined Diaphragm Spools, increase Torque Required values by 20%.

When placing your order, please indicate valve size and diaphragm spool material by appending elastomer abbreviation (CR, NR, etc) to the model name.
IE: 2" Series 4400-CR



WARRANTY

All EVR products are guaranteed for one full year against defects resulting from faulty workmanship or materials. If any such product is found to be defective by reason of faulty workmanship or materials, upon written notice and return of the product, the defective product will be replaced by us free of charge, including the shipping charges for the replacement product. Claims for labour costs and other expenses required to replace such defective product, or to repair damage resulting from the use thereof will not be allowed by us. Our liability is limited to the price paid for the defective product. EVR Products shall not be bound by any warranty other than the above set forth unless such warranty shall be in writing. This literature is published in good faith and is believed to be reliable, however, EVR Products does not represent and/or warrant in any manner the above information and suggestions contained in this brochure. Data presented is the result of laboratory tests and field experience.

Distributed by:

ELASTO VALVE RUBBER PRODUCTS INC.

1691 Pioneer Road, Sudbury,
 Ontario Canada P3G 1B2
 Tel. (705)523-2026 - Fax. (705)523-2033
 Toll Free 1-800-461-6331 (N.A.)
 Website: www.evrproducts.com
 E-mail: sales@evrproducts.com

ISO 9001 Certified

