

- Centerline closure for streamline flow
- Tight shut-off even on trapped solids
- Built-in over-pinch protection
- Positive opening tabs standard on all sleeves
- Valve position easily visible
- Face-to-face values equal to industry standards



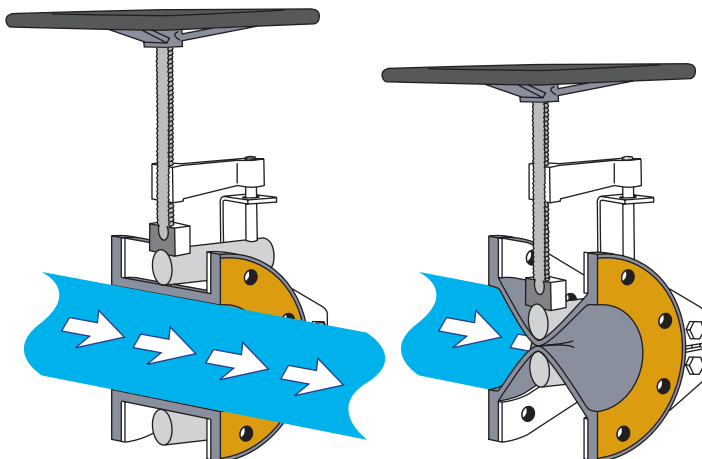
The Series 1100 Pinch Valve has been designed to provide a high pressure alternative to the Series 1000 Valve. Virtually maintenance-free, the sleeve is the valve's only wetted part, eliminating possible contamination of the process materials.

The 1100 Series Valve has no seats that require grinding, no packing glands or stuffing boxes which require repacking. Both torques and flow rates remain constant during valve operation. The valve will not become locked or jammed even when dealing with solids in the flow.

#### Typical Applications

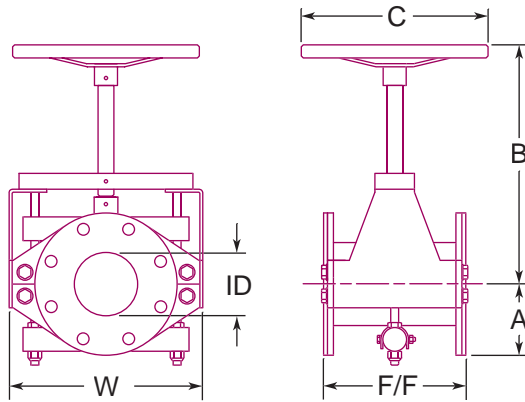
Mining - Waste and Water Treatment - Food Processing - Mineral Processing

The body of the 1100 Series valve is available in either carbon steel, aluminum or stainless steel and features an open-frame design.



Series 1100 Pinch Valves provide excellent flow control compared to other valves due to their simple yet effective design.

Two pinch bars squeeze the flexible rubber sleeve, allowing the Series 1100 Valve to achieve a variable and stable flow rate. Fully open, the valve allows for full straight through flow. Fully closed, the Series 1100 Valve maintains complete closure with no leakage in either direction.



For engineering specifications or when placing your order, please provide the following information:

- Flange Drilling  ANSI 125  ANSI 300  
 PN 6  PN 10  
 PN 16  BS 10  
 Other

ID <sup>1</sup>	1/2	3/4	1	1-1/2	2	2-1/2	3	4	5	6	8	10	12	14	16	18	20	24
F/F <sup>1</sup>	4-1/2	5-1/2	6	6	8	10	12	16	20	24	32	40	48	42	48	54	60	72
W <sup>1</sup>	3-1/2	6	6	6-1/2	8	9	10	11-3/4	13-1/2	15-1/2	19	25	28	31-3/8	37	40	44	51-3/4
A <sup>1</sup>	1-3/4	2	2-1/4	2-1/2	3	3-1/2	3-3/4	4-1/2	5	5-1/2	6-3/4	8	9-1/2	10-1/2	11-3/4	12-1/2	13-3/4	16
B <sup>1</sup>	4-1/8	5	7	8	9-1/4	10	12	14-1/4	16	18	20	22	26	32	36	40	44	54
C <sup>1</sup>	6	6	6	6	8	10	12	12	16	16	20	26	32	36	40	44	48	54
Max. Work Pressure <sup>2</sup>	200	200	200	200	200	200	150	150	150	150	150	150	150	150	150	150	150	150
Weight <sup>3</sup> (est.)	5	7	10	15	32	42	51	68	102	123	198	385	529	616	700	770	910	1260

1 - inches    2 - psi    3 - pounds

Dimensions can be revised to suit custom specifications.

### Elastomer Selection Guide

#### Ethylene Propylene Rubber (EPDM)

Most effective for applications involving water, steam or diluted acids.

#### Viton™ (FKM)

Resists solvents, halogenated hydrocarbons, oxygen, weather, ozone, oils and chemicals.

#### Buna N (NBR)

Resistant to kerosene, moderate chemicals, fats, oils, grease and many hydrocarbons.

#### Natural Rubber (NR)

Good abrasion resistance, tensile strength and resiliency. Also suitable when dealing with organic acids, alcohols, ketones and most moderate chemicals.

#### Hypalon™ (CSM)

Resists strong acids and bases, ozone, weathering, heat and oxidizing chemicals.

#### Butyl (CIIR)

Good resistance to animal and vegetable fats, strong and oxidizing chemicals, oils, heat and greases.

#### Neoprene (CR)

Generally resistant to oil and grease, moderate chemicals, fats, many hydrocarbons and ozone. Resistant to barnacle growth.

#### Teflon™ (AFMU)

Excellent resistance to chemicals. Fair abrasion resistance.

### Options

**Flange Drilling** - ANSI, Metric, or custom drilling classes available.

**Chainwheel Controls** - For valves that are mounted out of reach.

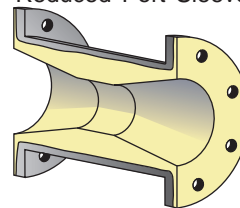
**Bevel Gear** - Suggested for high pressure applications or for valves where diameter is at least 6" and pressure is 75 psi or above.

**Stem Extensions** - Available for hard to reach or buried service valves.

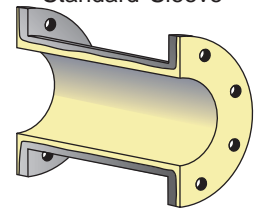
When placing your order, please indicate sleeve material by appending elastomer abbreviation (CR, NR, etc) to the model name.  
**IE: Series 1100-CR**

### Replacement Sleeves Styles for the Series 1100 Valve

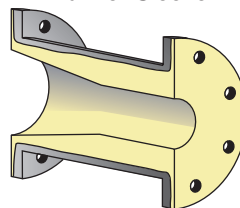
#### Reduced Port Sleeve



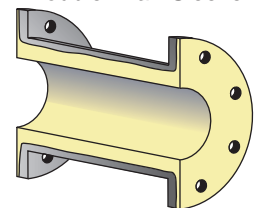
#### Standard Sleeve



#### Funnel Sleeve



#### Double Wall Sleeve



### WARRANTY

All EVR products are guaranteed for one full year against defects resulting from faulty workmanship or materials. If any such product is found to be defective by reason of faulty workmanship or materials, upon written notice and return of the product, the defective product will be replaced by us free of charge, including the shipping charges for the replacement product. Claims for labour costs and other expenses required to replace such defective product, or to repair damage resulting from the use thereof will not be allowed by us. Our liability is limited to the price paid for the defective product. EVR Products shall not be bound by any warranty other than the above set forth unless such warranty shall be in writing. This literature is published in good faith and is believed to be reliable, however, EVR Products does not represent and/or warrant in any manner the above information and suggestions contained in this brochure. Data presented is the result of laboratory tests and field experience.

Distributed by:

### ELASTO VALVE RUBBER PRODUCTS INC.

1691 Pioneer Road, Sudbury,  
 Ontario Canada P3G 1B2

Tel. (705)523-2026 - Fax. (705)523-2033

Toll Free 1-800-461-6331 (N.A.)

Website: [www.evrproducts.com](http://www.evrproducts.com)

E-mail: [sales@evrproducts.com](mailto:sales@evrproducts.com)

ISO 9001 Certified

